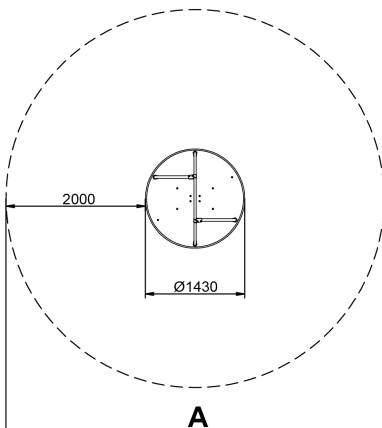


Carousel Sputnik

JC05

3+

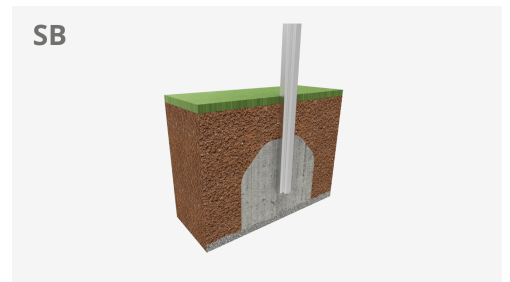
Certified
EN1176
product



Structure, Metal: galvanised and powder-coated rotating shaft. Colours: JC05 - RAL6018, RAL1028 / JC05B - RAL2008, RAL1028.

A x B			
A=Ø5430mm	23.15m ²	1m	4

SB



Materials:

Platforms, Phenolic: birch plywood coated with a phenol film on both sides. Wire mesh anti-slip surface. Waterproof lateral protection.

Fixings: electro galvanised and stainless steel quality 8.8 DIN267, AISI-304.

- None of the materials requires a specific treatment for its disposal.
- If the product is subject to severe use, maintenance should be increased.
- Don't use the product before the installation/maintenance is ready.
- Please check the maintenance instructions.

Biggest part (mm): 1430x1430x65 / Heaviest part (kg): 63

IMPACT ZONE: security area and ground coverings according to the EN1176-1:2017 standard.

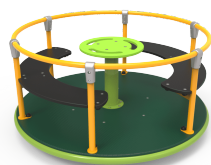
Spare parts availability: 10 years.

Ground anchoring screws not included.

Playful features:



Alternatives:



JC06B